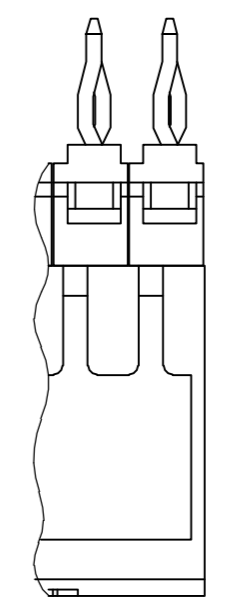
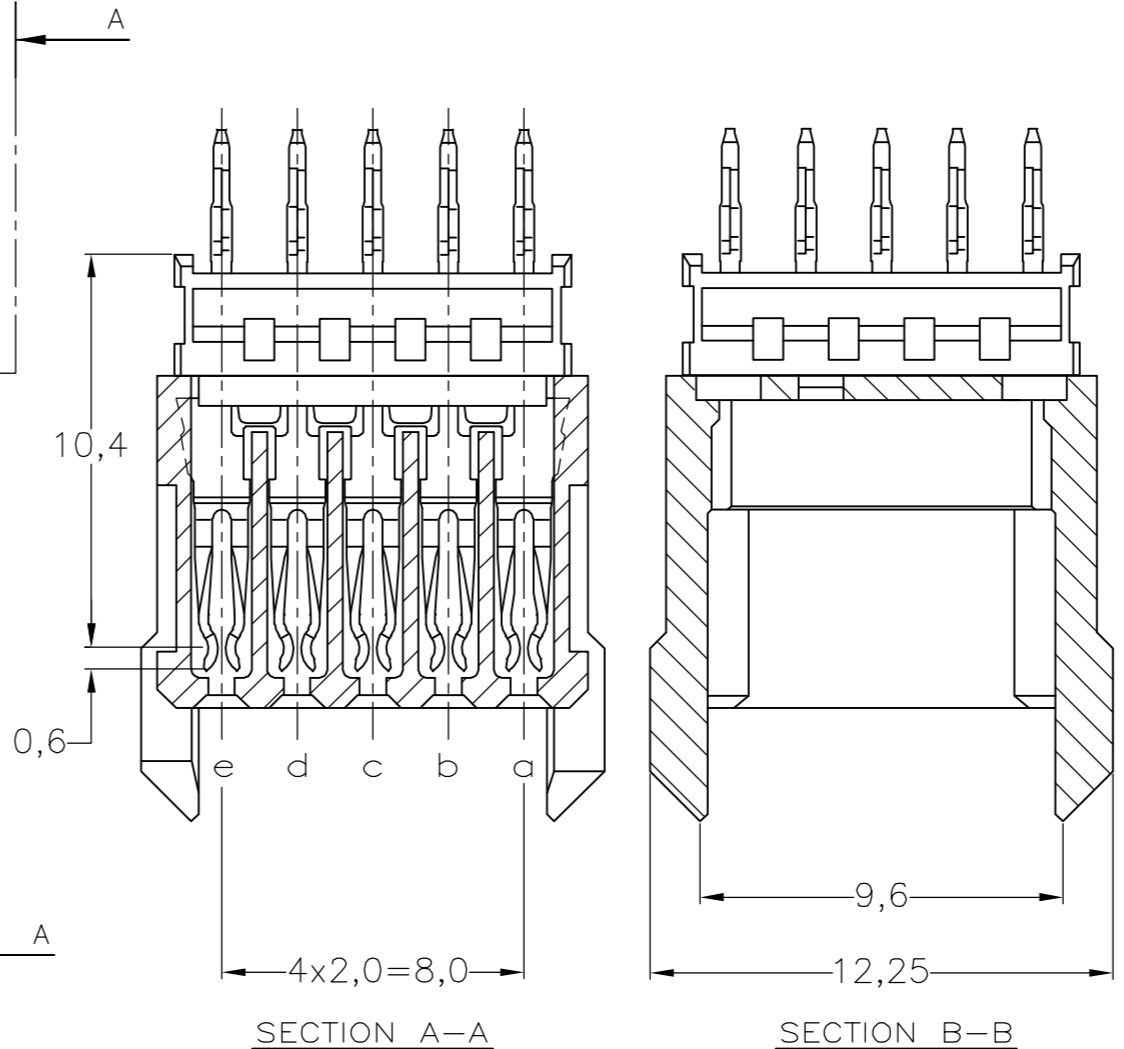
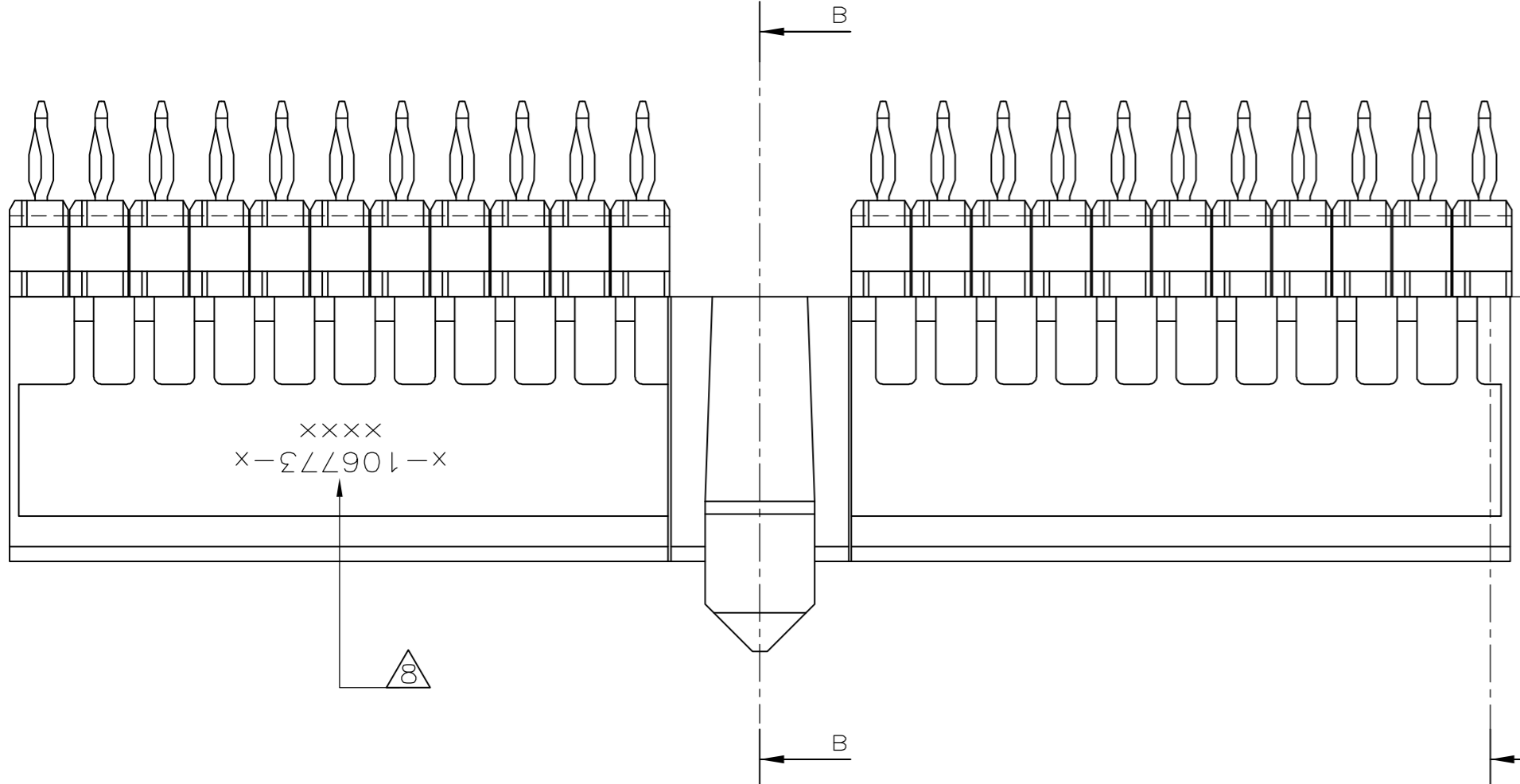
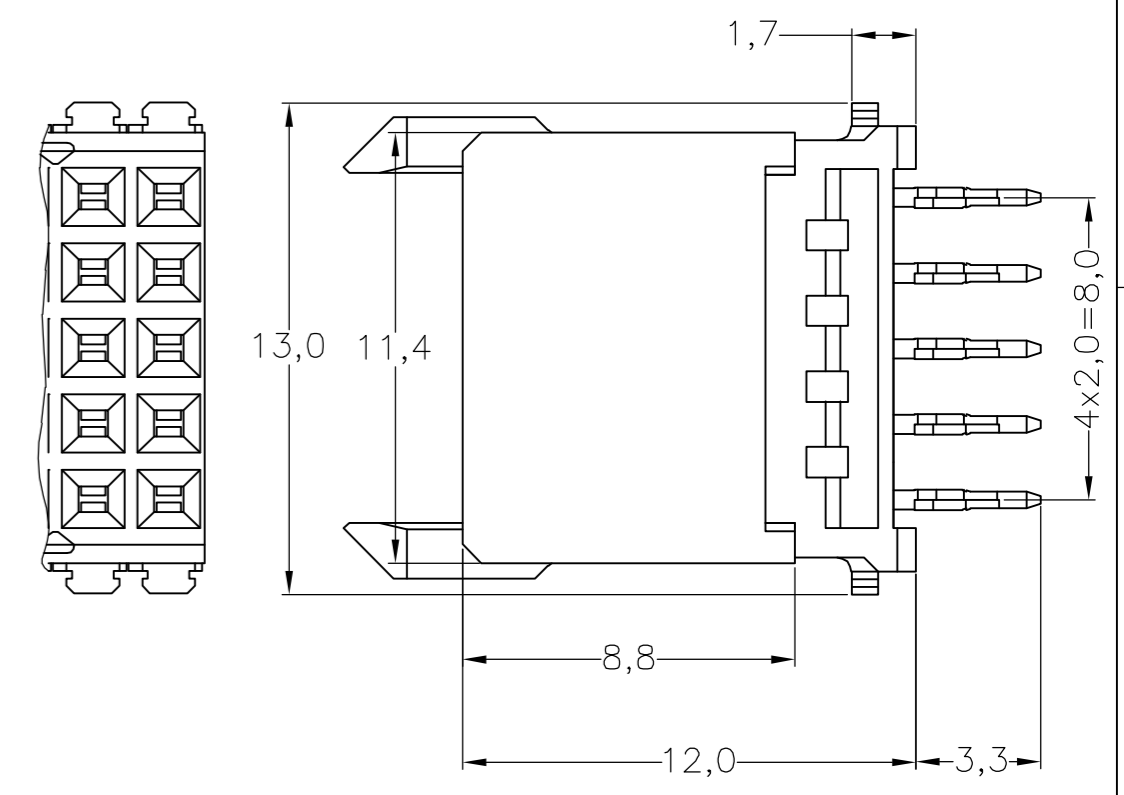
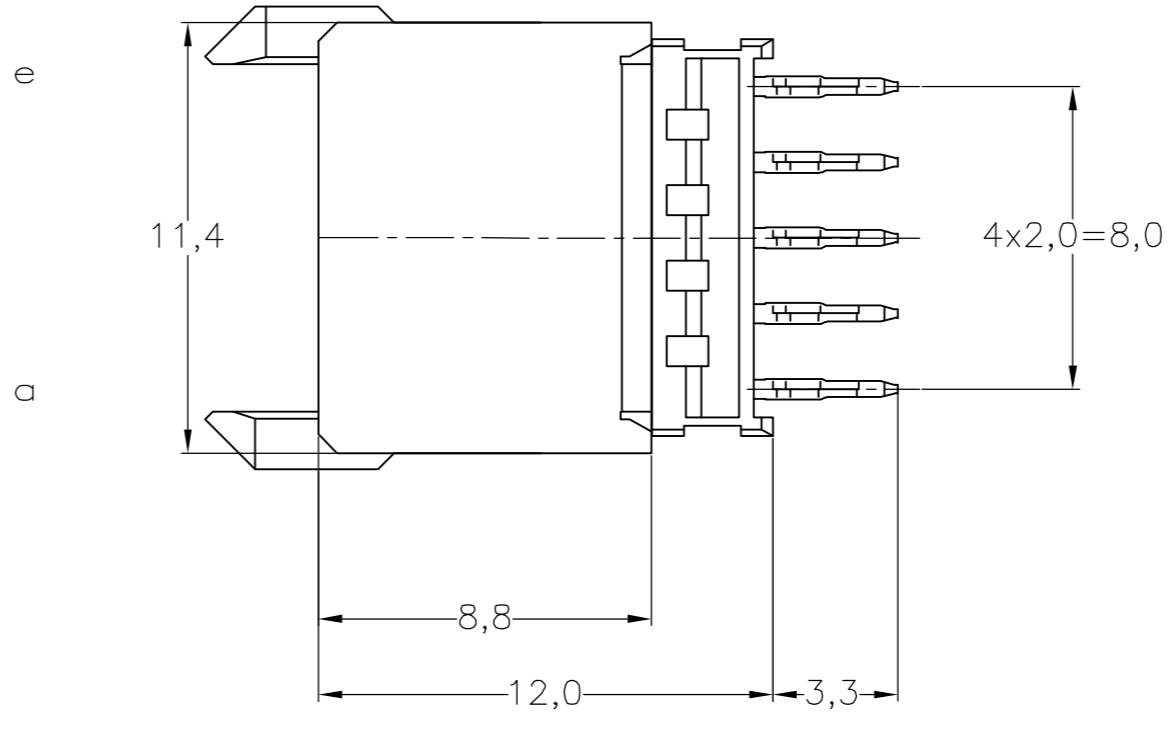
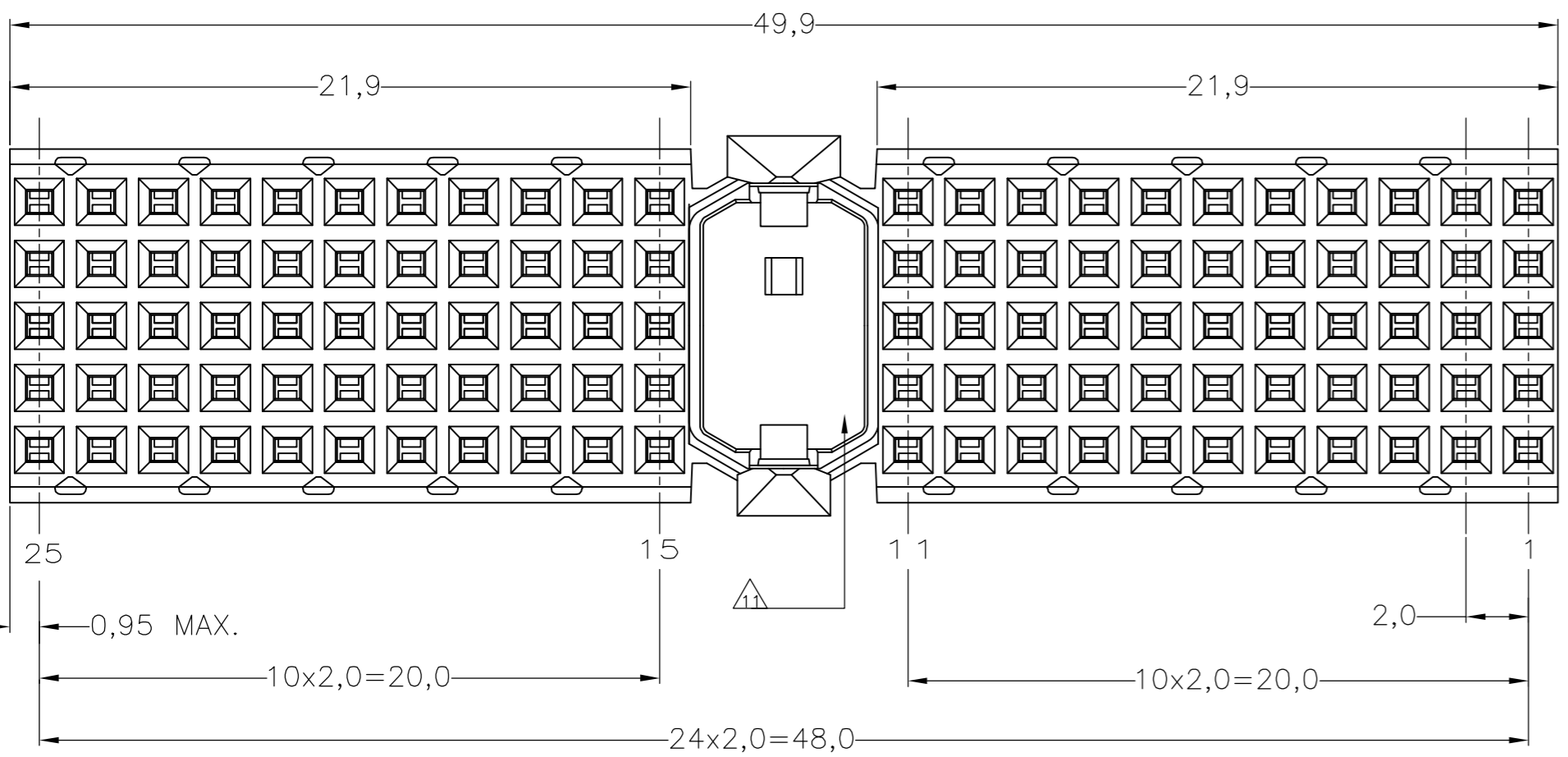


THIS DRAWING IS UNPUBLISHED. RELEASED FOR PUBLICATION  
 © COPYRIGHT BY TYCO ELECTRONICS CORPORATION. ALL RIGHTS RESERVED.

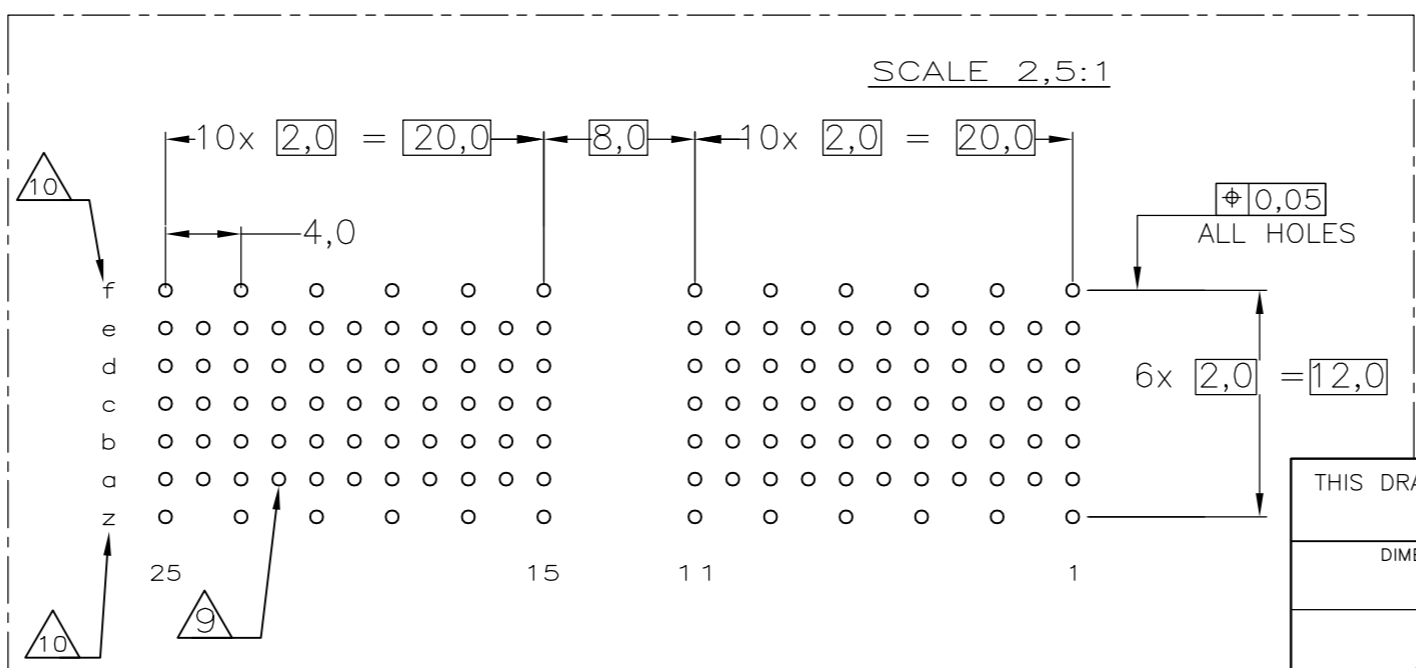
| Loc |     | DIST          |          | REVISIONS |      |  |  |
|-----|-----|---------------|----------|-----------|------|--|--|
| P   | LTR | DESCRIPTION   | DATE     | DWN       | APVD |  |  |
|     | K   | EHC0-0195-04  | 18-05-04 | DvdB      | BM   |  |  |
|     | L   | EH10-0680-05  | 31-05-05 | BSV       | BM   |  |  |
|     | L1  | ECR-06-002635 | 07-02-06 | BSV       | BM   |  |  |



ALTERNATE FORM



- NOTES:
- △ MATERIAL CONTACT: PHOSPHORBRONZE  
MATERIAL HOUSING: GLASSFILLED POLYESTER  
UL-RATING 94VO(GRAY)
  - △ GENERAL PLATING SPECIFICATION: UNDERPLATING (ENTIRE CONTACT): 1,27µm  
NICKEL MIN. AND ACTION PIN: 0,5µm TIN-LEAD MIN.  
FOR PLATING OF MATING SURFACES SEE APPLICABLE SPECIFICATION REFERENCE  
FOR EACH DASH NUMBER.
  - △ CONFORMS TO ALL TESTING ACCORDING IEC 61076-4-101 PERFORMANCE  
LEVEL 2.
  - △ CONFORMS TO ALL TESTING ACCORDING IEC 61076-4-101 PERFORMANCE  
LEVEL 1.
  - △ CONNECTOR TESTED AND QUALIFIED AGAINST TELCORDIA GR-1217-CORE  
QUALITY LEVEL III, CENTRAL OFFICE APPLICATIONS.
  - △ CONNECTOR TESTED AND QUALIFIED AGAINST TELCORDIA GR-1217-CORE  
QUALITY LEVEL III, UNCONTROLLED ENVIRONMENT APPLICATIONS.
  - △ CONNECTOR LUBRICATED WITH TELCORDIA APPROVED LUBRICANT.
  - △ CONNECTOR PRINTED WITH PARTNUMBER AND DATECODE.
  - △ PLATED-THROUGH HOLES AT 2x2mm SQUARE GRID (110 HOLES).
  - △ HOLES IN ROW f AND z FOR POSSIBLE FUTURE USE OF  
GROUND RETURN SHIELD. (SHIELDS NOT YET TOOLED)
  - △ AREA RESERVED FOR KEYING PART (BASIC P.N.:100526).



P.C.B. HOLE DIM. ACTION PIN  
FOR DETAILS SEE  
APPLICATION SPECIFICATION

COMPONENT SIDE AS SHOWN  
RECOMMENDED PCB-HOLE LAY-OUT

THIS DRAWING IS A CONTROLLED DOCUMENT.

|   |  |                            |   |
|---|--|----------------------------|---|
| DIMENSIONS: MM  | TOLERANCES UNLESS OTHERWISE SPECIFIED: | DWN L.V.D.HEIJDEN 14APR97  | Tyco Electronics Corporation<br>s-Hertogenbosch, Netherlands, |
| MATERIAL  | FINISH                                 | CHK D. TRUREN 14APR97      |   |
| 0 PLC ± -<br>1 PLC ± -<br>2 PLC ± -<br>3 PLC ± -<br>4 PLC ± -<br>ANGLES ± - |  | APVD F.V.KONINGSBRUGGE     | NAME  |
|   |  | PRODUCT SPEC 108-19082     | Z-PACK 2MM HM TYPE A  |
|   |  | APPLICATION SPEC 114-19029 | 110 POS. VERTICAL FEMALE CONNECTOR ASSEMBLY                   |
|   |  | WEIGHT -                   | SIZE A2   |
|   |  | CUSTOMER DRAWING           | CAGE CODE 00779   |
|   |  |                            | DRAWING NO. C=106773  |
|   |  |                            | RESTRICTED TO -   |
|   |  |                            | SCALE NTS SHEET 1 OF 1 REV L1                                 |